

Thirst Point Hot

Counter Top Boiling Water & Under Counter Boiling Water



How much time is wasted every day by staff filling a kettle and waiting for it to heat up? Is it 30 minutes, an hour, more? After putting a value on that time it's easy to calculate how much it costs in a year - just to boil a kettle.

ThirstPoint boiling water products eliminate this waste of time and money by providing a constant supply of boiling water on demand. Up to 55 cups of boiling water can be drawn off at any one time.

The ThirstPoint boiling water products are permanently plumbed in and as water is drawn off the unit refills, providing a constant supply of boiling water making them ideal for a bustling office, shop, factory, and hospital or school staff room.

Features:

Counter Top

Energy efficient water boiler

5Ltr or 10Ltr immediate draw off

Excellent value for money

Installed with **3M** filters that reduce limescale

Available as push button or tap dispenser

Under Counter

Tap options available

Water at 92°

All stainless steel construction

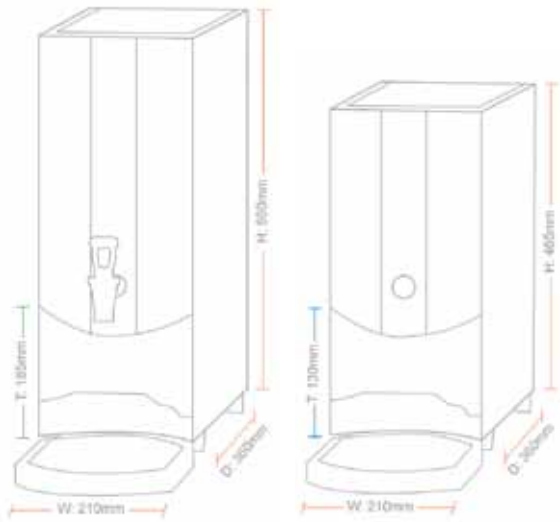
Quiet running pump

the Intelligent**choice**

ThirstPoint is a range of boiling water products from

Water**logic**

Counter Top Boiling Water & Under Counter Boiling Water



■ Tap dispensing height 185mm ■ Push button dispensing height 130mm

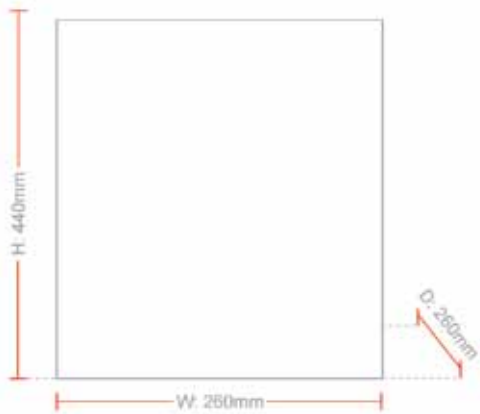
Dimensions

Model	Height mm	Width mm	Depth mm	Tap Dispense Height mm	Push Button Dispense Height mm
Counter top 5Ltr	465	210	360	185	130
Counter top 10Ltr	590	210	360	185	130

Capacity

Model	Cups (180ml)		Mugs (250ml)		Volume (litres)
	per hour	at one time	per hour	at one time	at one time
Counter top 5Ltr	156	27	112	20	5
Counter top 10Ltr	312	55	224	40	10

Available as a push button or tap dispenser



Dimensions

Model	Height mm	Width mm	Depth mm
Under Counter	440	260	260

Capacity

Model	Cups (180ml)		Mugs (250ml)		Volume (litres)
	per hour	at one time	per hour	at one time	at one time
Under Counter	144	55	104	40	10

Minimum cabinet width: 360mm

Installation Requirements

To ensure that the ThirstPoint unit can be installed quickly and smoothly in your proposed location, each unit will require a 13amp (240 AC) switched socket which should not be more than one metre from the machine. Each plumbed water machine needs to be supplied with water from a rising main. The pipe work should ideally be no more than one metre from the machine although our in-house service team are able to install machines in the majority of locations. Pipe work must be terminated with a 15mm BS1010 stopcock. Space will also be required for the filter.